

STEINER

ST410

Wheel Balancer



COST EFFECTIVE, FEATURE PACKED WHEEL BALANCER

Ideal for:

Anyone looking to grow their business by adding a tyre bay.

Features:

- › Automatic measurement of inside distance and rim diameter
- › Foot brake pedal
- › LED illumination
- › Laser indicating function
- › Hidden weight function
- › Nine different balance modes to cover every requirement
- › Ultra HD LCD display for clear visibility in all light settings

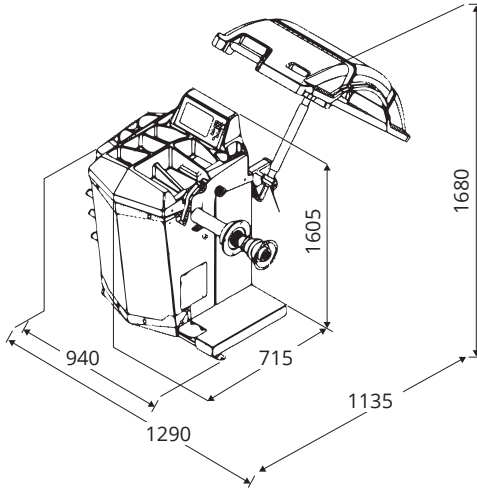


If you are not 100% satisfied with your equipment, Treadway Equipped will repair, replace or refund the equipment free of charge within the first 100 days.

ST410

Wheel Balancer

STEINER



Features:

- › Automatic measurement of inside distance and rim diameter
- › Foot brake pedal
- › LED illumination
- › Laser indicating function
- › Hidden weight function
- › Nine different balance modes to cover every requirement
- › Ultra HD LCD display for clear visibility in all light settings

SPECIFICATIONS

Rim diameter	8" - 28"
Max wheel weight	70kg
Max wheel diameter	1110mm
Rim width capacity	1.5" - 20"
Spin speed	200 RPM
Precision	1 gram
Power supply	3=230V 50-60Hz 1Ph
Motor power	250W

Options



- › **Motorcycle adapter kit**
Enables motorcycle wheel balancing

Included

- › 4 piece cone set including 4WD/light truck cone
- › Wheel weight pliers
- › Quick Nut with pressure cup and rubber protector
- › Calibration weight and allen wrench
- › Full operators manual



OUR PROMISE:

100

ONE HUNDRED DAYS
100% SATISFACTION

If you are not 100% satisfied with your equipment, Treadway Equipped will repair, replace or refund the equipment free of charge within the first 100 days.

0800 436 436
treadwayequipped.co.nz